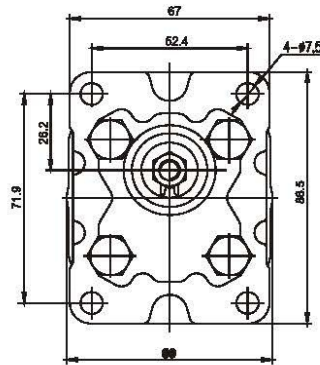
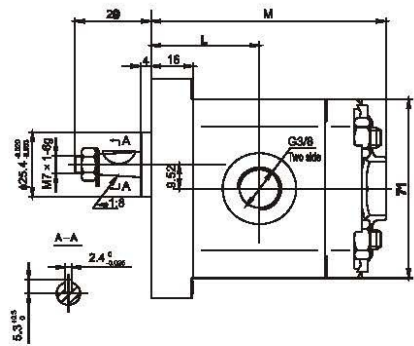
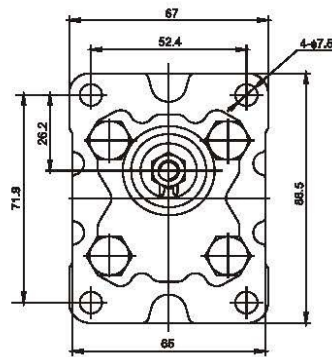
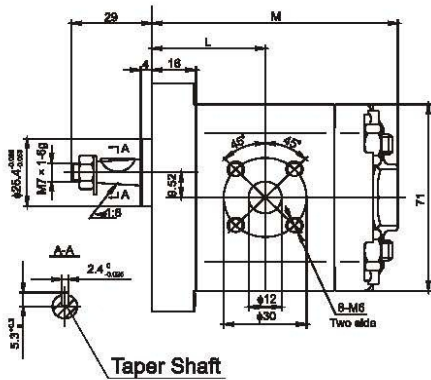
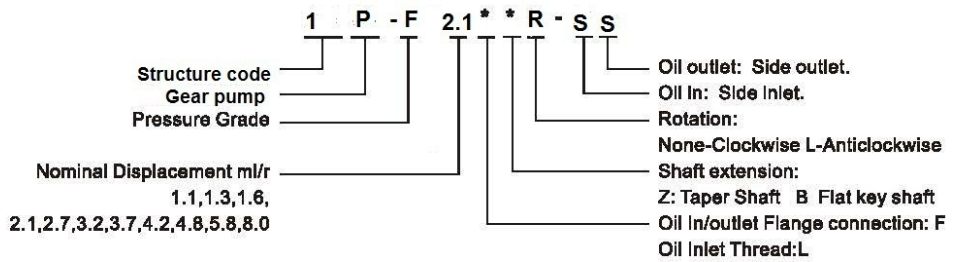
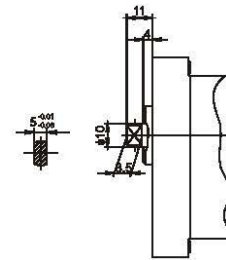


1 P F SERIES GEAR PUMP

Rexport



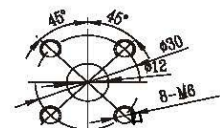
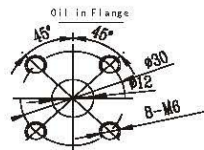
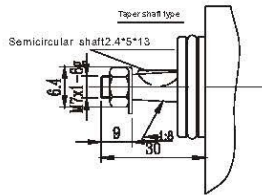
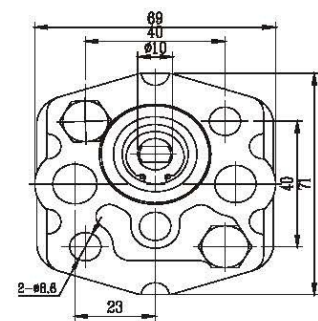
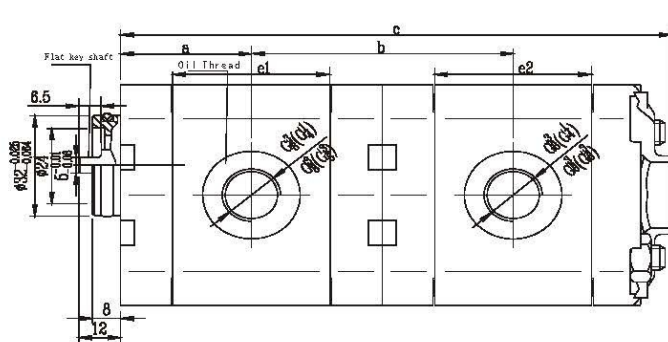
Flat Key Shaft
"B" shaft



Model	Disp.(ml/r)	Pressure(MPa)		Speed (r/min)			L(mm)	M(mm)
		Rated	Max.	Rated	Max.	Min.		
1 P F 1.1 ***	1.1	20	25	2000	6000	600	34	75
1 P F 1.3 ***	1.3	20	25	2000	6000	600	34.5	76
1 P F 1.6 ***	1.6	20	25	2000	6000	600	35	77
1 P F 2.1 ***	2.1	20	25	2000	6000	600	36	79
1 P F 2.7 ***	2.7	20	25	2000	6000	600	37	81
1 P F 3.2 ***	3.2	20	25	2000	5000	600	38	83
1 P F 3.7 ***	3.7	20	25	2000	4500	600	39	85
1 P F 4.2 ***	4.2	20	25	2000	4000	600	40	87
1 P F 4.8 ***	4.8	16	20	2000	3500	600	41	89
1 P F 5.8 ***	5.8	16	20	2000	2900	600	43	93
1 P F 8.0 ***	8.0	16	20	2000	2100	600	47	101

1 D P F SERIES DOUBLE GEAR PUMP

Rexport



Model	Pressure(Mpa)		Speed(r/min)		e1	e2	a	b	C
	Rated	Max.	Rated	Max.					
1.1	20	25	2500	5000	36.5	15+e1/2	30+e1/2 +e2/2	68+e1+e2	
1.3	20	25	2500	5000	37.3	15+e1/2	30+e1/2 +e2/2	68+e1+e2	
1.6	20	25	2500	5000	38.6	15+e1/2	30+e1/2 +e2/2	68+e1+e2	
1.8	20	25	2500	5000	39.4	15+e1/2	30+e1/2 +e2/2	68+e1+e2	
2.1	20	25	2500	5000	40.6	15+e1/2	30+e1/2 +e2/2	68+e1+e2	
2.3	20	25	2500	5000	41.4	15+e1/2	30+e1/2 +e2/2	68+e1+e2	
2.5	20	25	2500	5000	42.2	15+e1/2	30+e1/2 +e2/2	68+e1+e2	
2.7	20	25	2500	5000	43	15+e1/2	30+e1/2 +e2/2	68+e1+e2	
3.2	20	25	2500	5000	45	15+e1/2	30+e1/2 +e2/2	68+e1+e2	
3.7	20	25	2500	5000	47	15+e1/2	30+e1/2 +e2/2	68+e1+e2	
4.2	20	25	2500	5000	49	15+e1/2	30+e1/2 +e2/2	68+e1+e2	
4.8	16	20	2000	3000	51	15+e1/2	30+e1/2 +e2/2	68+e1+e2	
5.8	16	20	2000	3000	55	15+e1/2	30+e1/2 +e2/2	68+e1+e2	
6.0	16	20	2000	3000	56	15+e1/2	30+e1/2 +e2/2	68+e1+e2	
6.5	16	20	2000	3000	57.5	15+e1/2	30+e1/2 +e2/2	68+e1+e2	
7.0	16	20	2000	3000	59	15+e1/2	30+e1/2 +e2/2	68+e1+e2	
8.0	16	20	2000	3000	63	15+e1/2	30+e1/2 +e2/2	68+e1+e2	

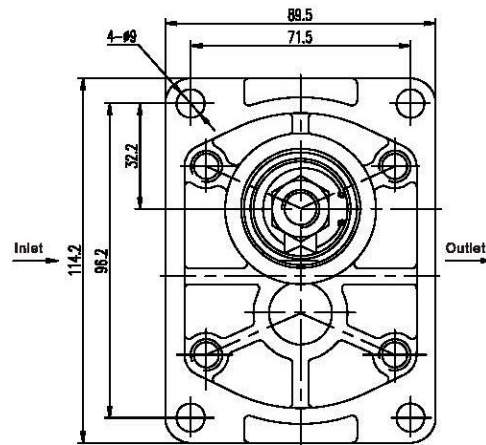
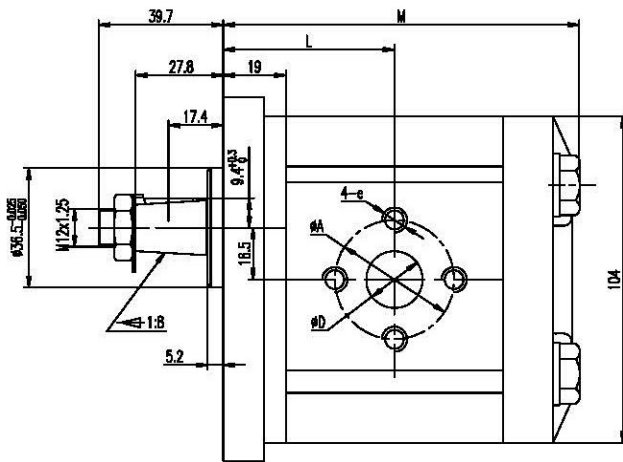
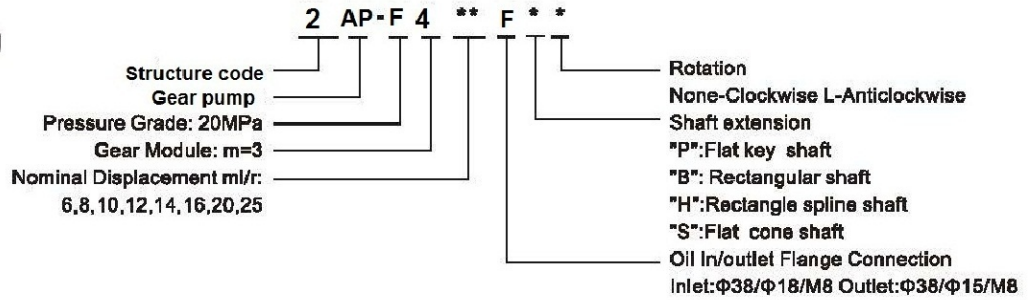
Note: 1.If customers require other kinds of displacement and size of connection, please contact us.

2.Max. load for shaft extension: P1V1+P2V2≤140; P1, P2: operate pressure(Mpa) for first and second connected pump.

V1, V2: nominal discharge(ml/r) for first and second connected pump.

2 A P F SERIES GEAR PUMP

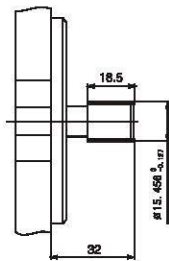
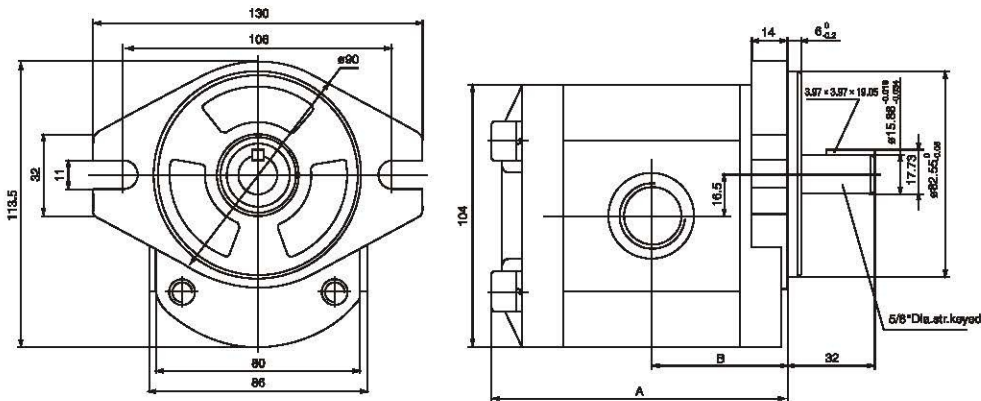
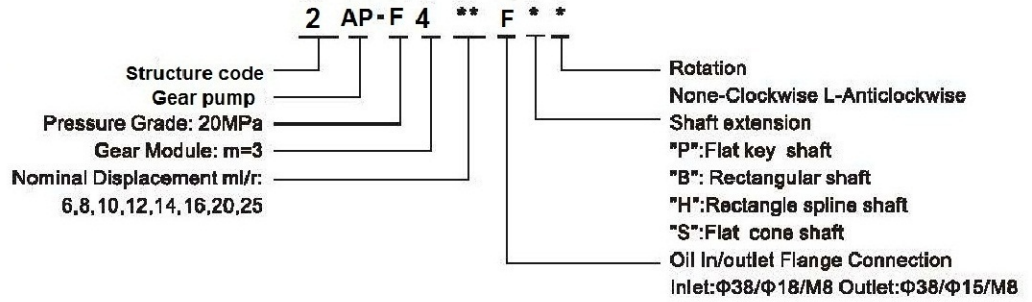
Rexport



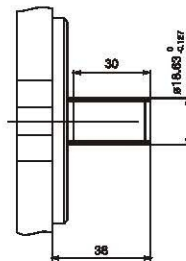
Model	Disp.(ml/r)	Pressure(MPa)		Speed (r/min)			A(mm)	B(mm)
		Rated	Max.	Rated	Max.	Min.		
2 A P F 6 ***	6	20	25	2000	3000	600	47	103
2 A P F 8 ***	8	20	25	2000	3000	600	49	106.5
2 A P F 10 ***	10	20	25	2000	3000	600	50	109
2 A P F 12 ***	12	20	25	2000	3000	600	52	113
2 A P F 14 ***	14	20	25	2000	3000	600	53	115
2 A P F 16 ***	16	20	25	2000	3000	600	54.5	118
2 A P F 20 ***	20	20	25	2000	3000	600	58	125
2 A P F 25 ***	25	20	25	2000	3000	600	62	133

2 A P F SERIES GEAR PUMP

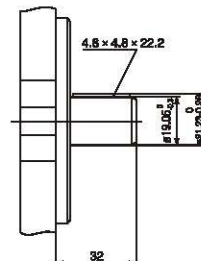
Rexport



SAE 9 tooth spline



SAE 11 tooth spline

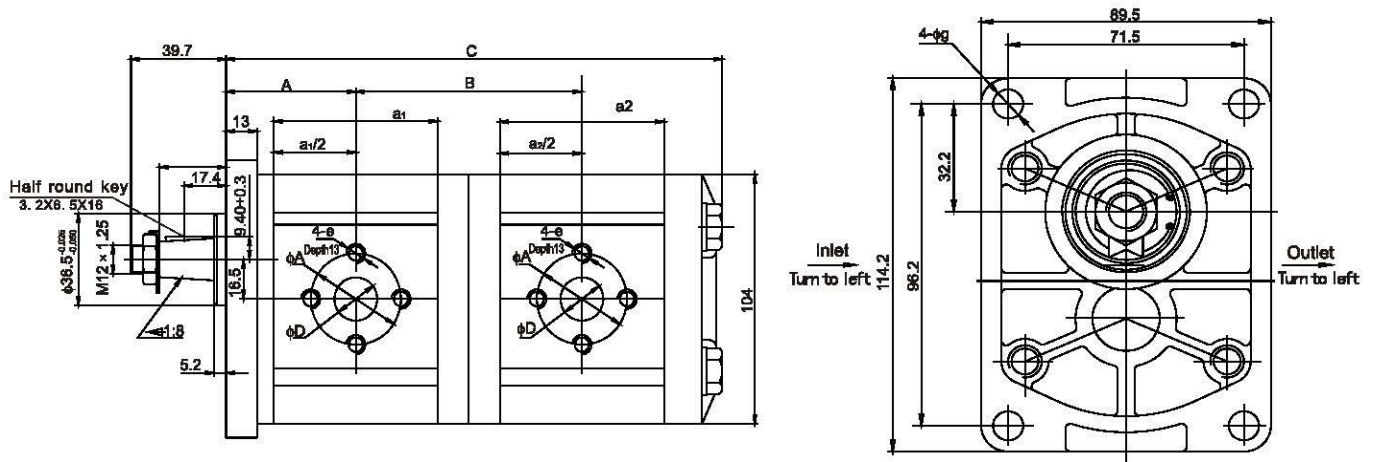


3/4" Dia.str.keyed

Model	Disp.(Ml/r)	Pressure(MPa)		Speed (r/min)			A(mm)	B(mm)
		Rated	Max.	Rated	Max.	Min.		
2 A P F 6 ***	6	20	25	2000	3000	600	47	103
2 A P F 8 ***	8	20	25	2000	3000	600	49	106.5
2 A P F 10 ***	10	20	25	2000	3000	600	50	109
2 A P F 12 ***	12	20	25	2000	3000	600	52	113
2 A P F 14 ***	14	20	25	2000	3000	600	53	115
2 A P F 16 ***	16	20	25	2000	3000	600	54.5	118
2 A P F 20 ***	20	20	25	2000	3000	600	58	125
2 A P F 25 ***	25	20	25	2000	3000	600	62	133

2 D A P F SERIES DOUBLE GEAR PUMP

Rexport

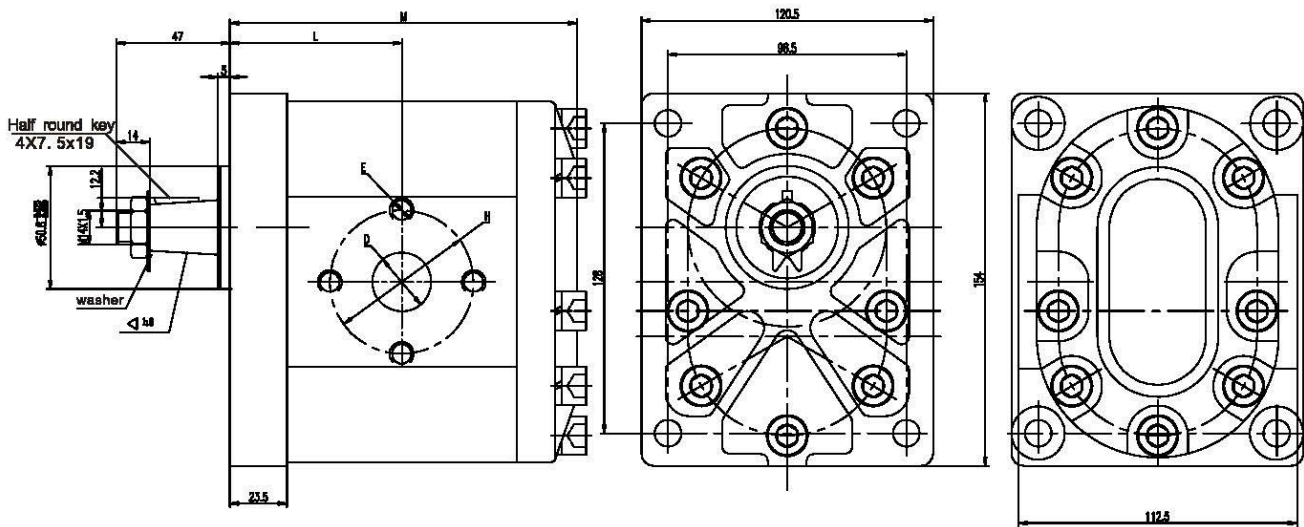
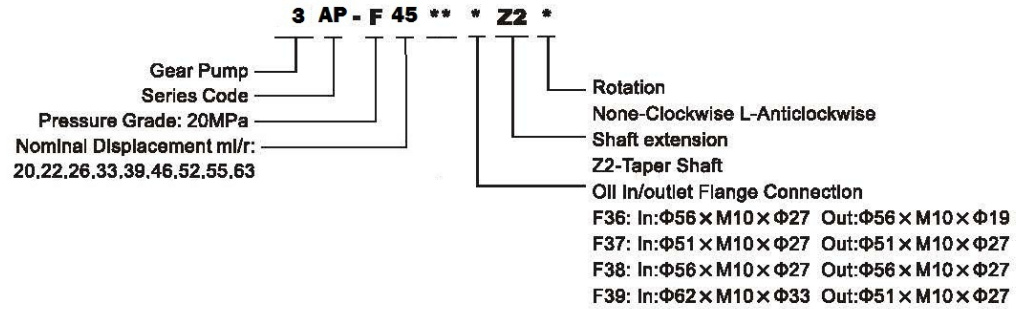


Discharge ml/r	a1, a2 Size	Inlet			Outlet		
		ϕD	ϕA	ϕe	ϕD	ϕA	ϕe
4	52	13	30	M6	13	30	M6
6	54	13	30	M6	13	30	M6
8	57.5	13	30	M6	13	30	M6
10	60	20	40	M8	13	30	M6
12	64	20	40	M8	13	30	M6
14	66	20	40	M8	13	30	M6
16	70	20	40	M8	13	30	M6
20	76	20	40	M8	13	30	M6
25	84	22	40	M8	13	30	M6

Model	Size A	Size B	Size C
CBT-F3**/3**F1Z1*	$19+a1/2$	$26+a1/2+a2/2$	$68.5+a1+a2$

3APF SERIES GEAR PUMP

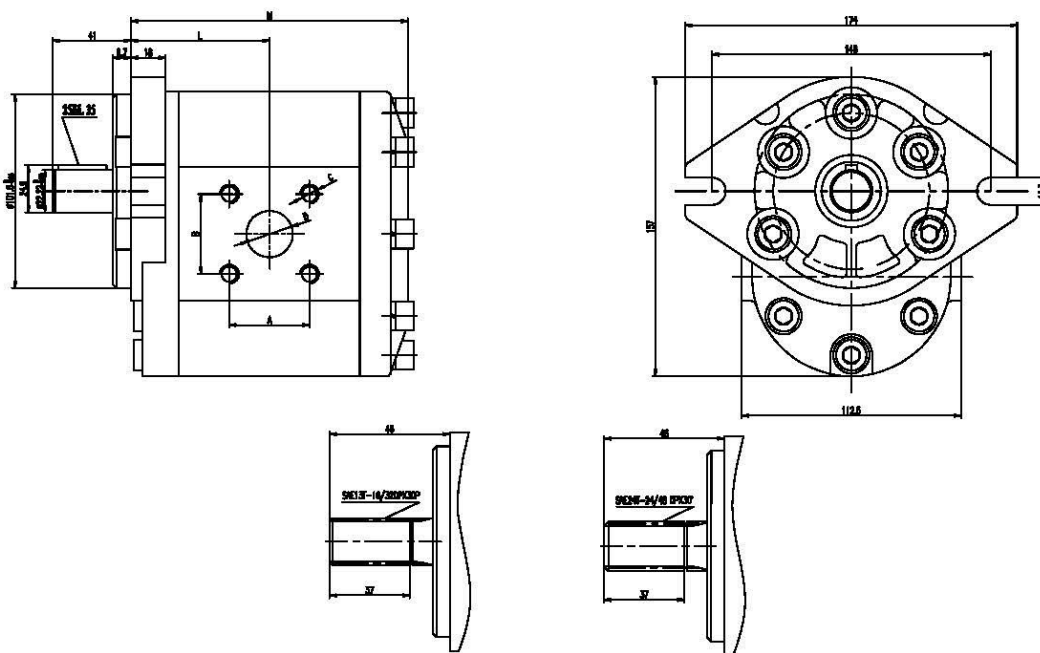
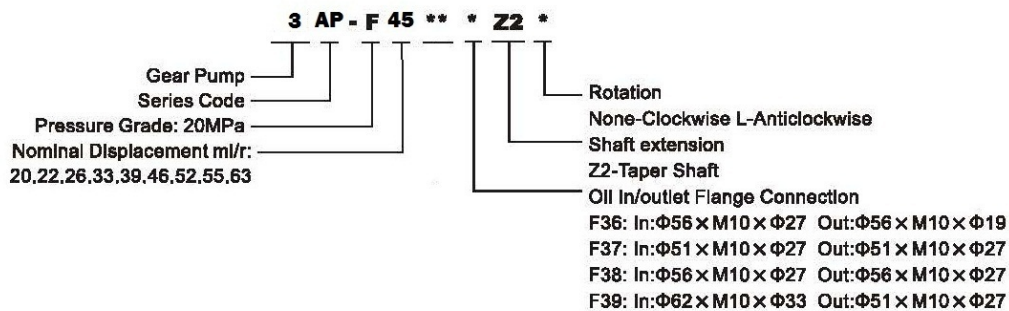
Rexport



Model	Disp. (Ml/r)	Pressure(Mpa)		Max.Speed (r/min)	M	L	Inlet		Outlet		E
		Rated	Max.				D	H	D	H	
3 A P F 20 ***	20	20	25	3000	119	58.75	27	56	19	56	M10
3 A P F 22 ***	22	20	25	3000	120	59.25	27	56	19	56	M10
3 A P F 26 ***	26	20	25	3000	123.5	61	27	56	19	56	M10
3 A P F 33 ***	33	20	25	3000	128.5	63.5	27	56	19	56	M10
3 A P F 39 ***	39	20	25	3000	132.5	65.5	27	56	19	56	M10
3 A P F 46 ***	46	20	25	3000	138	68.25	27	51	27	51	M10
3 A P F 52 ***	52	20	25	3000	141.5	70	27	56	27	56	M10
3 A P F 55 ***	55	20	25	3000	143	70.25	33	62	27	51	M10
3 A P F 63 ***	63	20	25	3000	149.5	74	33	62	27	51	M10

3 A P F SERIES GEAR PUMP

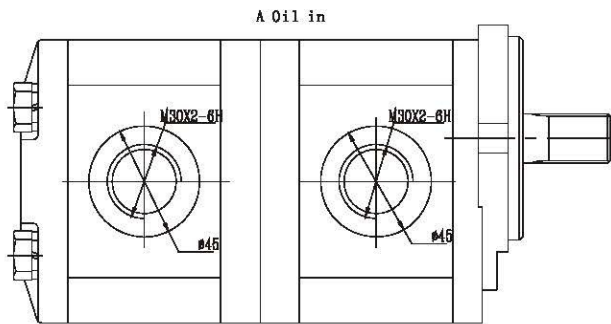
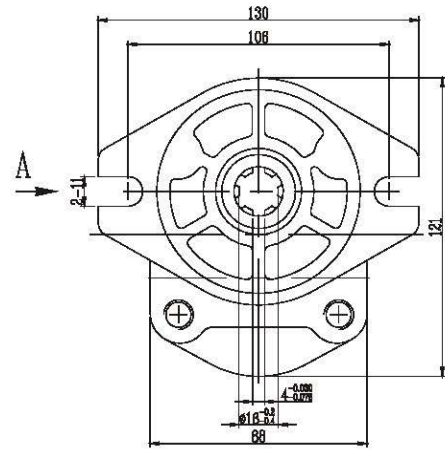
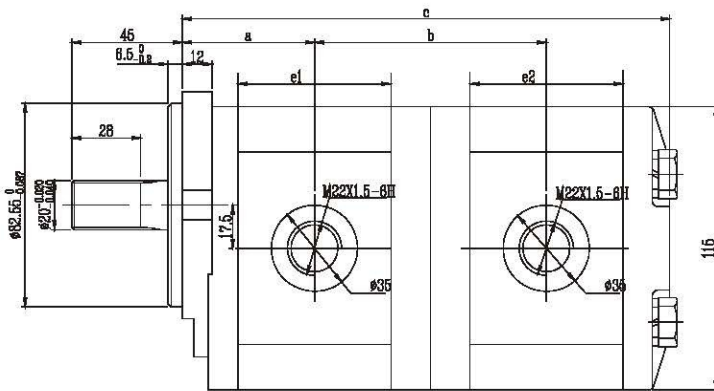
Rexport



Model	Disp. (ML/r)	Pressure(Mpa)		Max.Speed (r/min)	M	L	Inlet		Outlet		E
		Rated	Max.				D	H	D	H	
3 A P F 20 ***	20	20	25	3000	119	58.75	27	56	19	56	M10
3 A P F 22 ***	22	20	25	3000	120	59.25	27	56	19	56	M10
3 A P F 26 ***	26	20	25	3000	123.5	61	27	56	19	56	M10
3 A P F 33 ***	33	20	25	3000	128.5	63.5	27	56	19	56	M10
3 A P F 39 ***	39	20	25	3000	132.5	65.5	27	56	19	56	M10
3 A P F 46 ***	46	20	25	3000	138	68.25	27	51	27	51	M10
3 A P F 52 ***	52	20	25	3000	141.5	70	27	56	27	56	M10
3 A P F 55 ***	55	20	25	3000	143	70.25	33	62	27	51	M10
3 A P F 63 ***	63	20	25	3000	149.5	74	33	62	27	51	M10

3 A D P F SERIES DOUBLE GEAR PUMP

Rexport



Disp.(Ml/r)	Pressure(Mpa)		Speed(r/min)		e1	e2	a	b	C
	Rated	Max.	Rated	Max.					
10	20	25	2000	3000	62.1	22.55+e1/2	32+e1/2 +e2/2	73.7+e1+e2	
16	20	25	2000	3000	68.1	22.55+e1/2	32+e1/2 +e2/2	73.7+e1+e2	
25	20	25	2000	3000	78.1	22.55+e1/2	32+e1/2 +e2/2	73.7+e1+e2	
26.5	20	25	2000	3000	80.1	22.55+e1/2	32+e1/2 +e2/2	73.7+e1+e2	
30	20	25	2000	3000	84.1	22.55+e1/2	32+e1/2 +e2/2	73.7+e1+e2	
32	20	25	2000	3000	87.1	22.55+e1/2	32+e1/2 +e2/2	73.7+e1+e2	
40	20	25	2000	3000	96.1	22.55+e1/2	32+e1/2 +e2/2	73.7+e1+e2	