



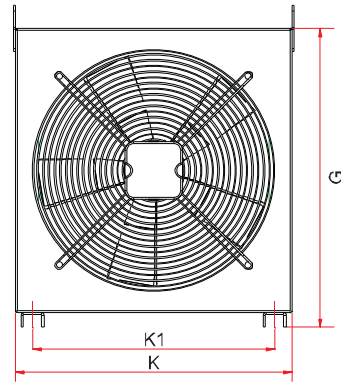
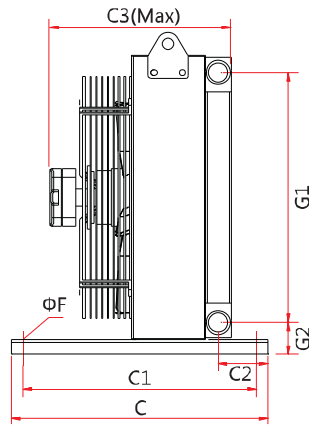
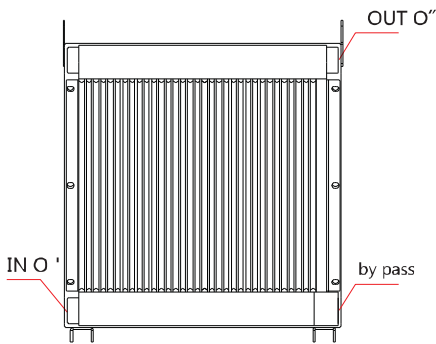
The technical data of DEL Series
(DEL-1~DEL-8):
Maximum static pressure:26 Bar (higher
pressure made to order)
Rated inlet temperture:70 °C (below 130 °C
can be custom made)

DEL Series is mainly use in:

In door enviroment like General hydraulic system,
Lubricating system , Gearbox(large reducer) etc

The feature of DEL Series:

- High quality of metal structure all processed by numerical control machine.
- Exterior rotor draught fan , which are of reliable performance and appealing design.
- Alramenting , electrostatic process and good Anticorrosion.



外型尺寸 Size

※ 为保证冷却器选型的准确性, 请与迪奥公司电话联系。

Make sure you can select the right cooler, please contact us

型号 Cooler Type	G ±10	K ±10	C ±2	G1 ±5	G2 ±5	K1 ±2	C1 ±2	C2 ±5	C3 ±5	O'	O"	ΦF
DEL1	356	226	135	289	/	206	70	/	135	G3/4"	G3/4"	9
DEL2	356	335	296	289	43	160	255	58	240	G3/4"	G3/4"	9*12
DEL3	456	385	296	389	43	290	255	73	280	G3/4"	G3/4"	9*12
DEL3B	456	385	296	389	43	290	255	63	300	G3/4"	G3/4"	9*12
DEL4	525	486	450	439	56	425	410	88	325	G1"	G1"	9*20
DEL4B	525	486	450	439	56	425	410	78	345	G1"	G1"	9*20
DEL5	565	545	450	479	56	482	410	78	345	G1"	G1"	9*20
DEL6	645	585	450	500	86	482	410	78	345	G1-1/4"	G1-1/4"	9*20
DEL7	738	708	500	630	70	560	460	98	420	G1-1/4"	G1-1/4"	9*20
DEL8	866	700	500	760	68	500	460	98	420	G1-1/4"	G1-1/4"	9*20



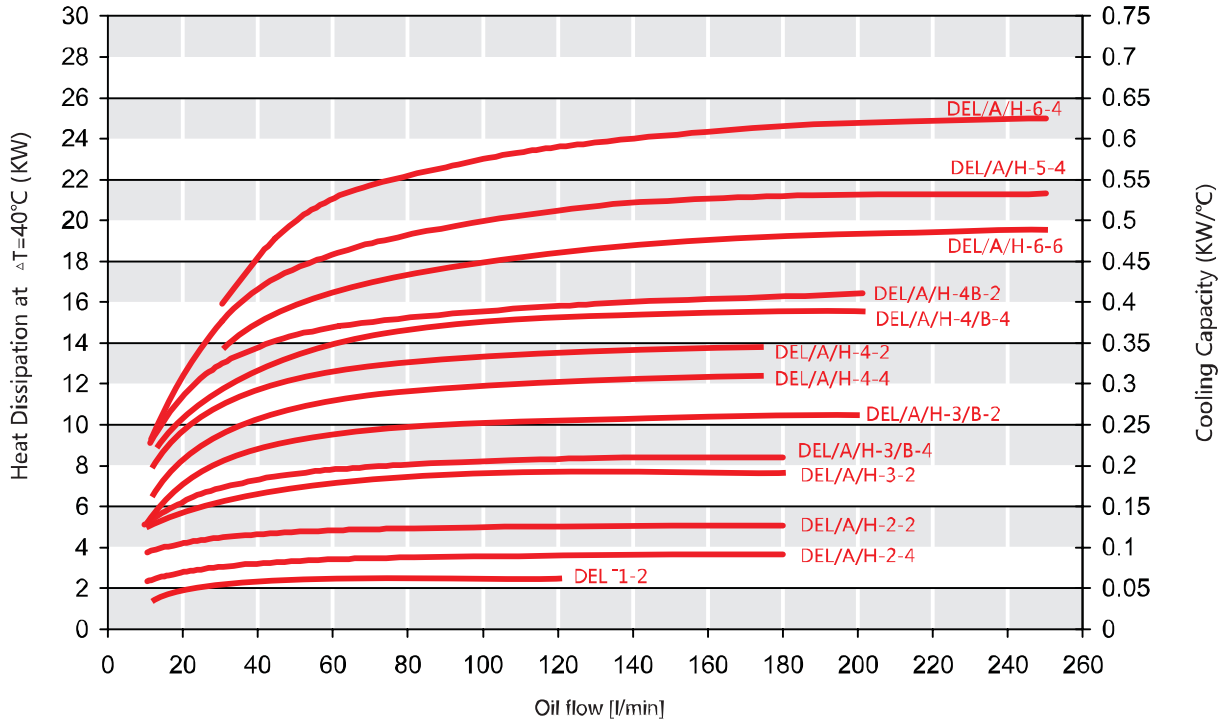
Technical Data

冷却器型号 Cooler Type	比散热量 Cooling Capacity [kW/°C]	建议流量 Traffic [L/min]	风扇直径 Fan Diameter [mm]	风扇转速 Fan speed [rpm]	噪声 Noise level [dB(A),1m]	电机电压 Motor Voltage [V]	消耗功率 Power Consumption [kW]	工作压力 Working Pressure [bar]
DEL1	0.05	5~40	150	2600	63	AC220	0.04*2	26
			150	2600	63	AC380	0.04*2	26
			150	2600	63	DC24	0.04*2	26
			150	2600	63	DC12	0.04*2	26
DEL2	0.10	10~60	250	1380	76	AC110	0.12	26
			250	2600	76	AC220	0.06	26
			250	2600	76	AC380	0.06	26
			250	3000	78	DC12	0.1	26
			250	3000	78	DC24	0.1	26
DEL3	0.13	10~70	300	1380	66	AC110	0.21	26
			300	2600	66	AC220	0.08	26
			300	2600	66	AC380	0.08	26
			300	3000	76	DC12	0.2	26
			300	3000	76	DC24	0.2	26
DEL3B	0.16	15~100	300	1380	66	AC110	0.21	26
			300	2600	66	AC220	0.08	26
			300	2600	66	AC380	0.08	26
			300	3000	78	DC12	0.2	26
			300	3000	78	DC24	0.2	26
DEL4	0.30	15~80	400	1380	73	AC220	0.18	26
			400	1380	73	AC380	0.18	26
			385	3000	82	DC12	0.2	26
			385	3000	82	DC24	0.2	26
DEL4B	0.34	15~120	400	1380	73	AC220	0.18	26
			400	1380	73	AC380	0.18	26
			385	3000	82	DC12	0.2	26
			385	3000	82	DC24	0.2	26
DEL5	0.46	20~170	450	1360	78	AC220	0.25	26
			450	1360	78	AC380	0.25	26
			385	3000	82	DC12	0.2	26
			385	3000	82	DC24	0.2	26
DEL6	0.6	20~180	500	1300	81	AC220	0.45	26
			500	1300	81	AC380	0.45	26
			250	3000	82	DC12	0.1*2	26
			250	3000	82	DC24	0.1*2	26
DEL7	0.7	50~200	500	1300	81	AC220	0.45	26
			500	1300	81	AC380	0.45	26
			280	3000	82	DC12	0.12*4	26
			280	3000	82	DC24	0.12*4	26
DEL8	0.78	50~180	500	1300	81	AC220	0.45	26
			500	1300	81	AC380	0.45	26
			280	3000	82	DC12	0.12*4	26
			280	3000	82	DC24	0.12*4	26

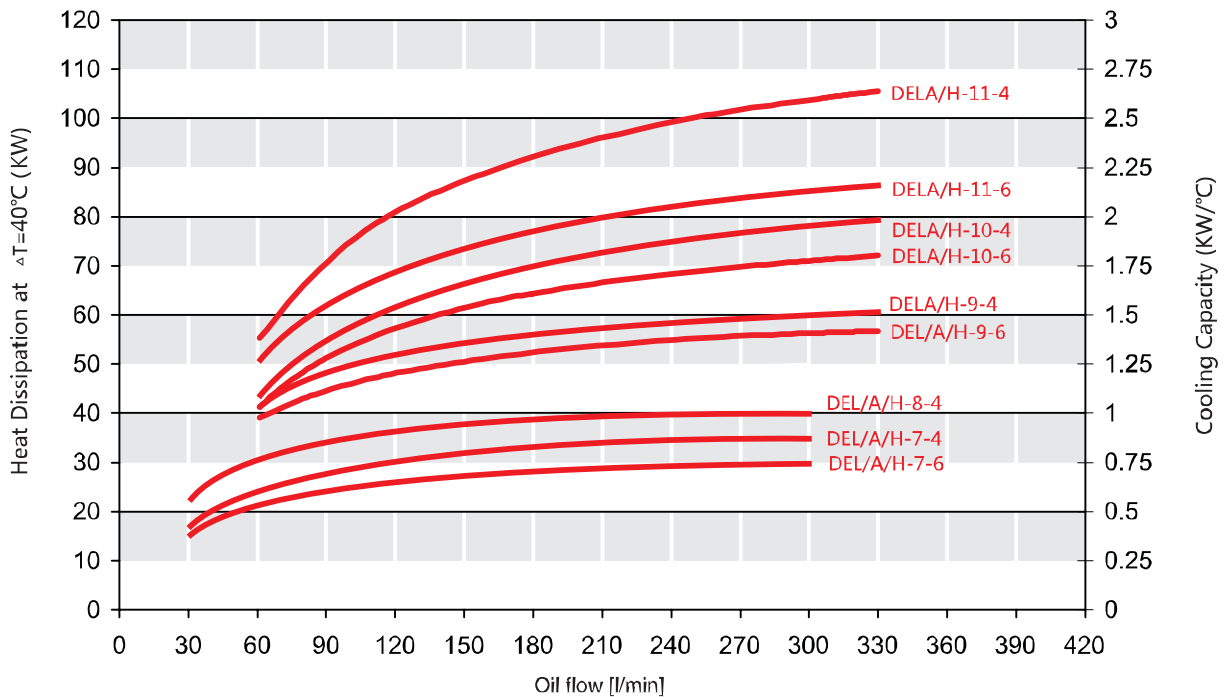
In order to avoid cracking , when cooler is installed in the return oil circuit, a bypass uploading valve must be parallel connected. And make sure the upload can be opened first when the decompression valve reaches the pressure peak.

If there is a pulse in the return oil of system or oil flow is very big, suggest to choose the self-circulated cooling system from Deo, in order to keep the whole system stable and reliable.

DEL1~6

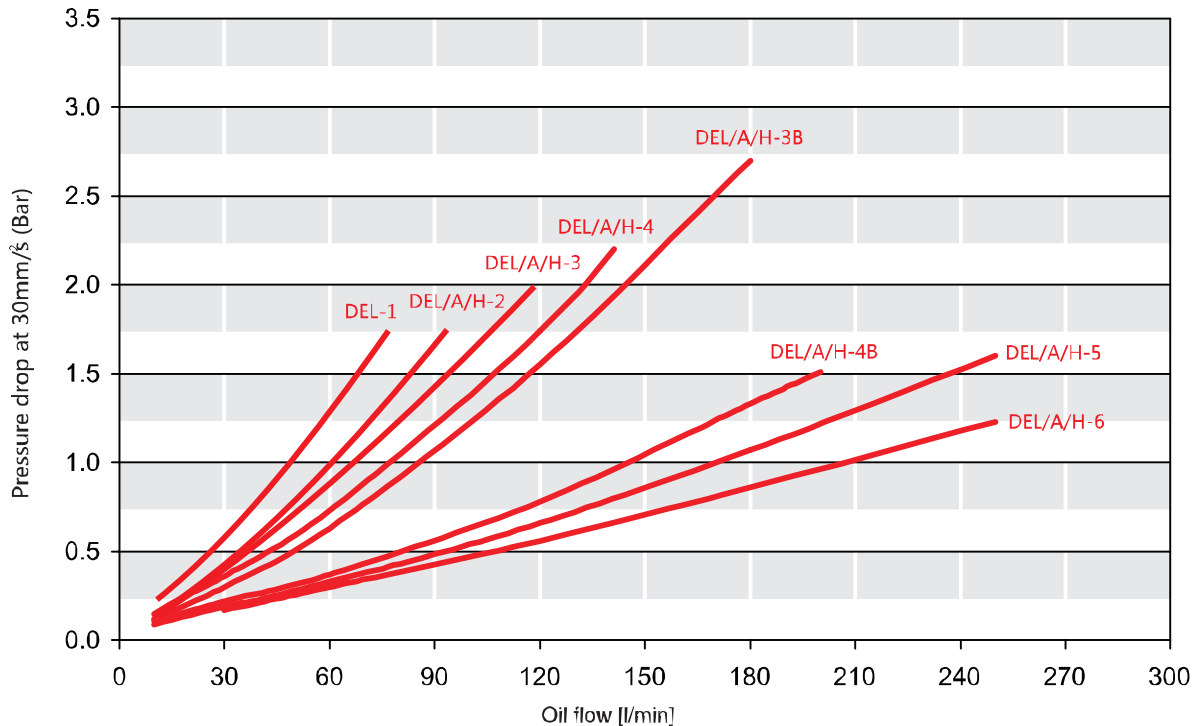


DEL7~11



DEL、DELA、DELH压力损失曲线 Pressure drop

DEL1~6



DEL7~11

