

**3-WAY BALL VALVES WITH THREADED CONNECTIONS**



**How to order**

**KHB3K - G1/2 - L - 1 1 2**  
 (1) (2) (3) (4) (5) (6) (7)

(1) Model: KHB3K: Square body DN04 - DN25  
 KHM3K: Eight - square body DN 32 - DN 50

(2) Thread size: e.g. G1/2

(3) Porting pattern: See chart porting pattern

(4) Block and connections material: 1 = Carbon steel  
 4 = Stainless steel 304

(5) Ball & stem material: 1 = Carbon steel  
 4 = Stainless steel 304

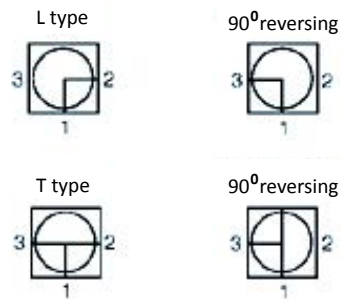
(6) Ball seat material: 1 = POM 4 = PTFE

(7) Connection & stem seal: 2 = NBR 4 = FPM (Viton)

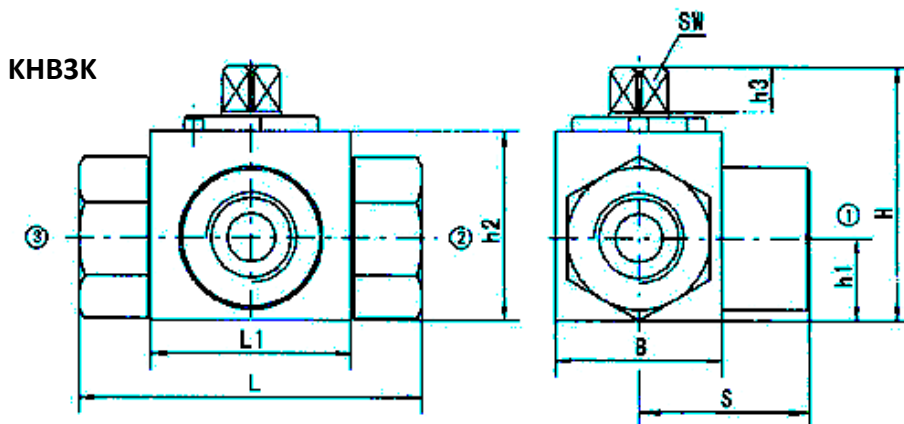
**Porting pattern (See chart)**

Hydraulic oil just can flow into valve through port "1", and the valve only can be sealed under the two situations:

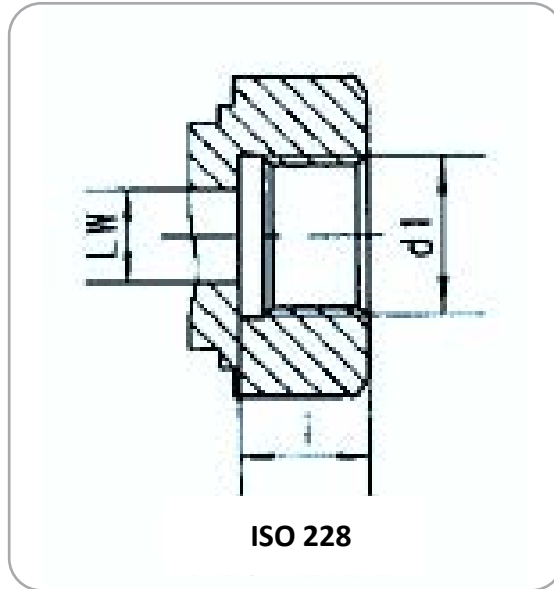
- (1) Pressure at the closed port is zero;
- (2) Pressure at the closed port is lower than at the two open ports.



**Dimensions**



**3-WAY BALL VALVES WITH THREADED CONNECTIONS**



**ISO 228 Female**

Model	DN	PN	LW	d1	i	L	L1	B	H	h1	h2	h3	SW	S
KHB3K-G1/8	4	315	6	G1/8	10	69	37	28	44.5	13	32	8	9	35
KHB3K-G1/4	6	315	6	G1/4	14	69	37	28	44.5	13	32	8	9	35
KHB3K-G3/8	10	315	10	G3/8	14	72	42	32	52.5	17	40	8	9	36
KHB3K-G1/2	13	315	13	G1/2	16	83	48	35	52.5	17	40	8	9	42
KHB3K-G1/2	16	315	15	G1/2	16	83	47	38	63.5	19	46	11	12	42
KHB3K-G3/4	20	315	20	G3/4	18	95	60	48	75	24	57	12	14	49
KHB3K-G1	25	315	25	G1	20.5	113	65	57	82	28.5	64	12	14	56.5
KHB3K-G1 1/4	25/32	315	25	G1 1/4	22	120	65	60	82	28.5	64	12	14	60
KHB3K-G1 1/4	32	315	30	G1 1/4	22	110	84	75	104.5	37.5	84	14	17	55
KHB3K-G1 1/2	40	315	38	G1 1/2	24	130	91	85	115.5	42.5	95	14	17	65
KHB3K-G2	50	315	48	G2	26	140	100	105	133	52.5	112.5	14	17	70